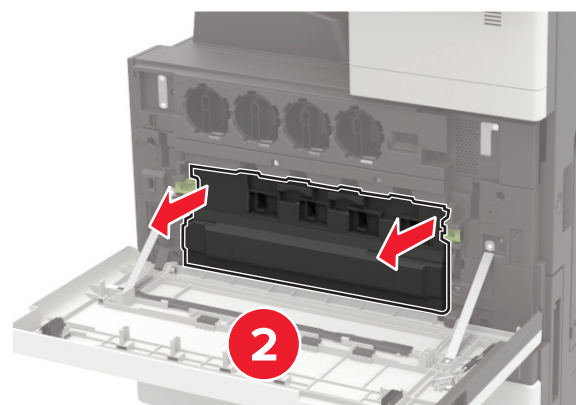
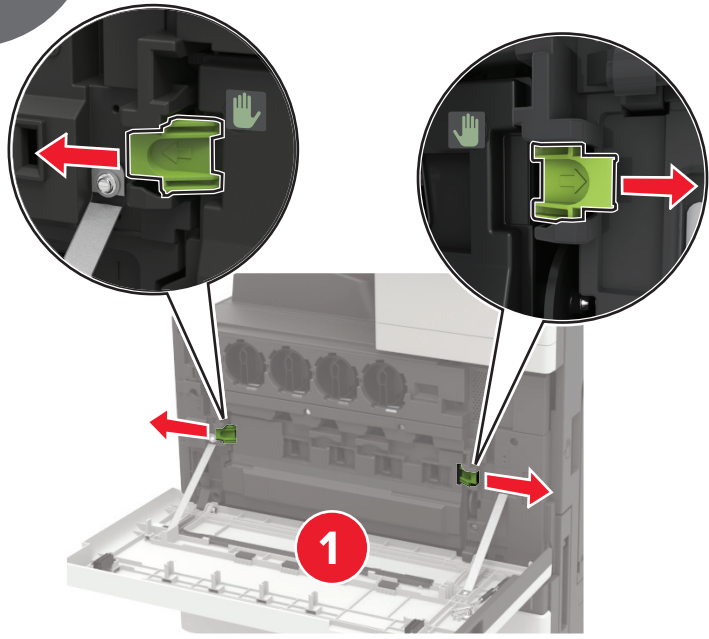


REPLACING THE PHOTOCONDUCTOR

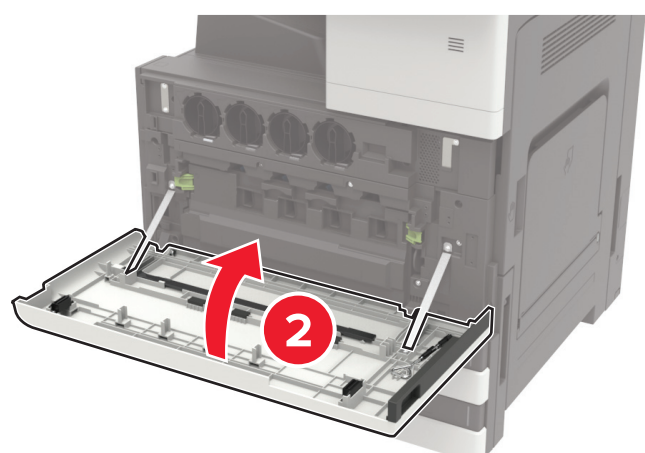
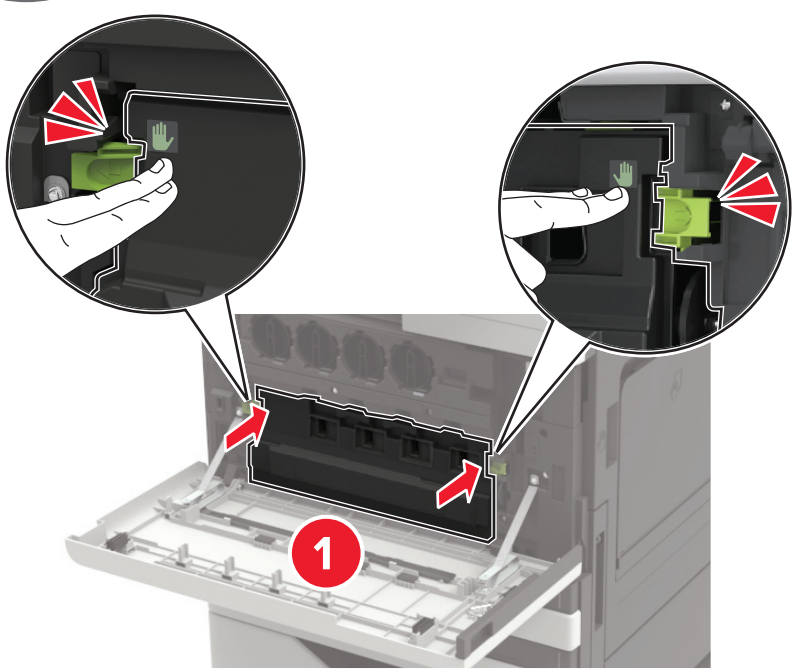
CS921, CS923, CS927, CX920, CX921, CX922, CX923, CX924, and CX927

01



Open door A. Remove the waste toner bottle.

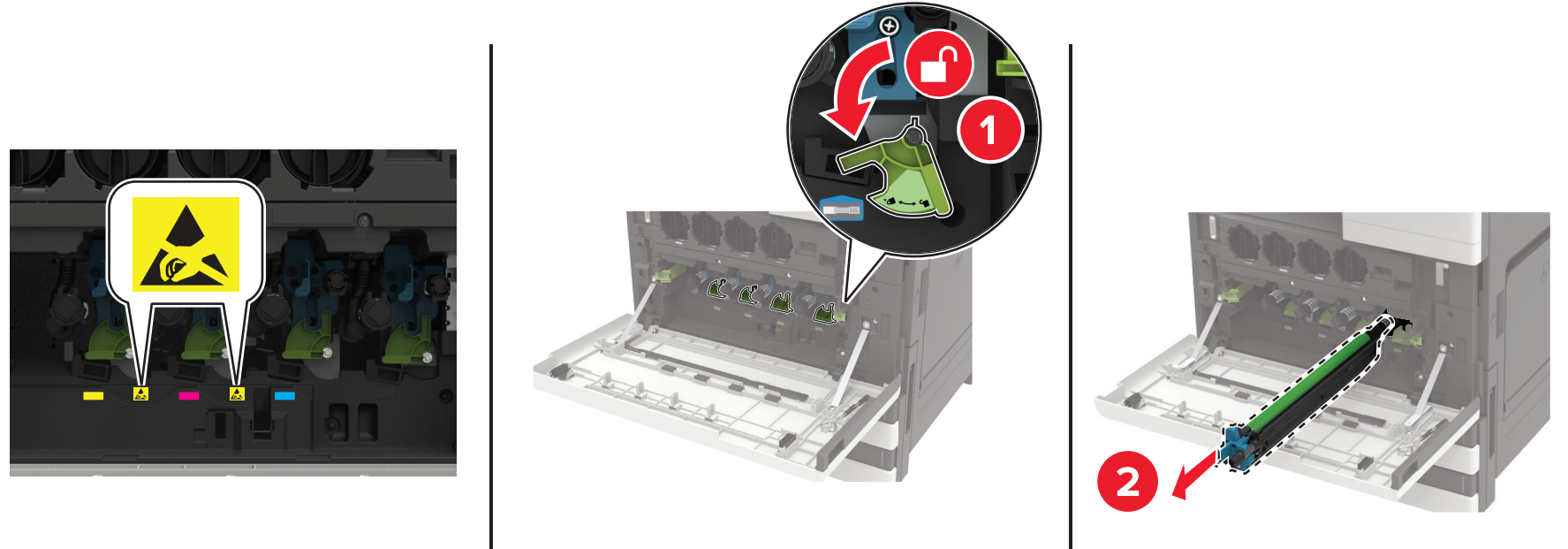
04



Using the printhead wiper, clean the printhead lens.

02

Warning—Potential Damage: Some parts of the printer are easily damaged by static electricity. Before touching any parts or components in an area marked with the static-sensitive symbol, touch a metal surface in an area away from the symbol.



Remove the photoconductor unit. Unpack the new photoconductor unit.

03

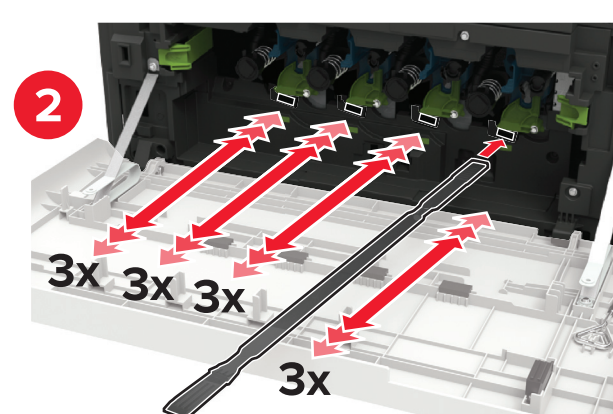
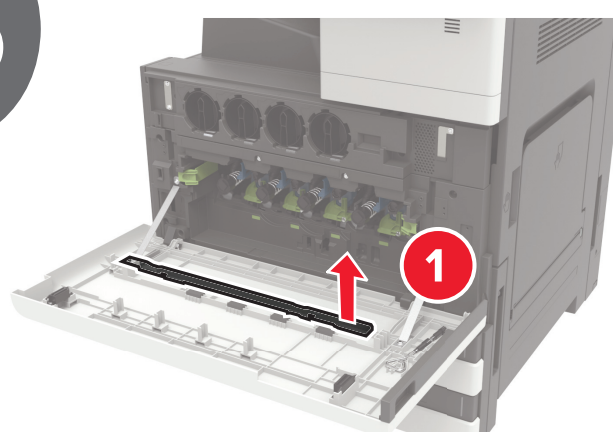
Warning—Potential Damage: Do not expose the photoconductor unit to direct light for more than one minute. Extended exposure to light may cause print quality problems.

Warning—Potential Damage: Do not touch the photoconductor drum. Doing so may affect the quality of future print jobs.



Insert the new photoconductor unit.

05



Insert the waste toner bottle, and then close the door.



SCAN TO WATCH THE VIDEO